

Rio Lighting Tech Rider

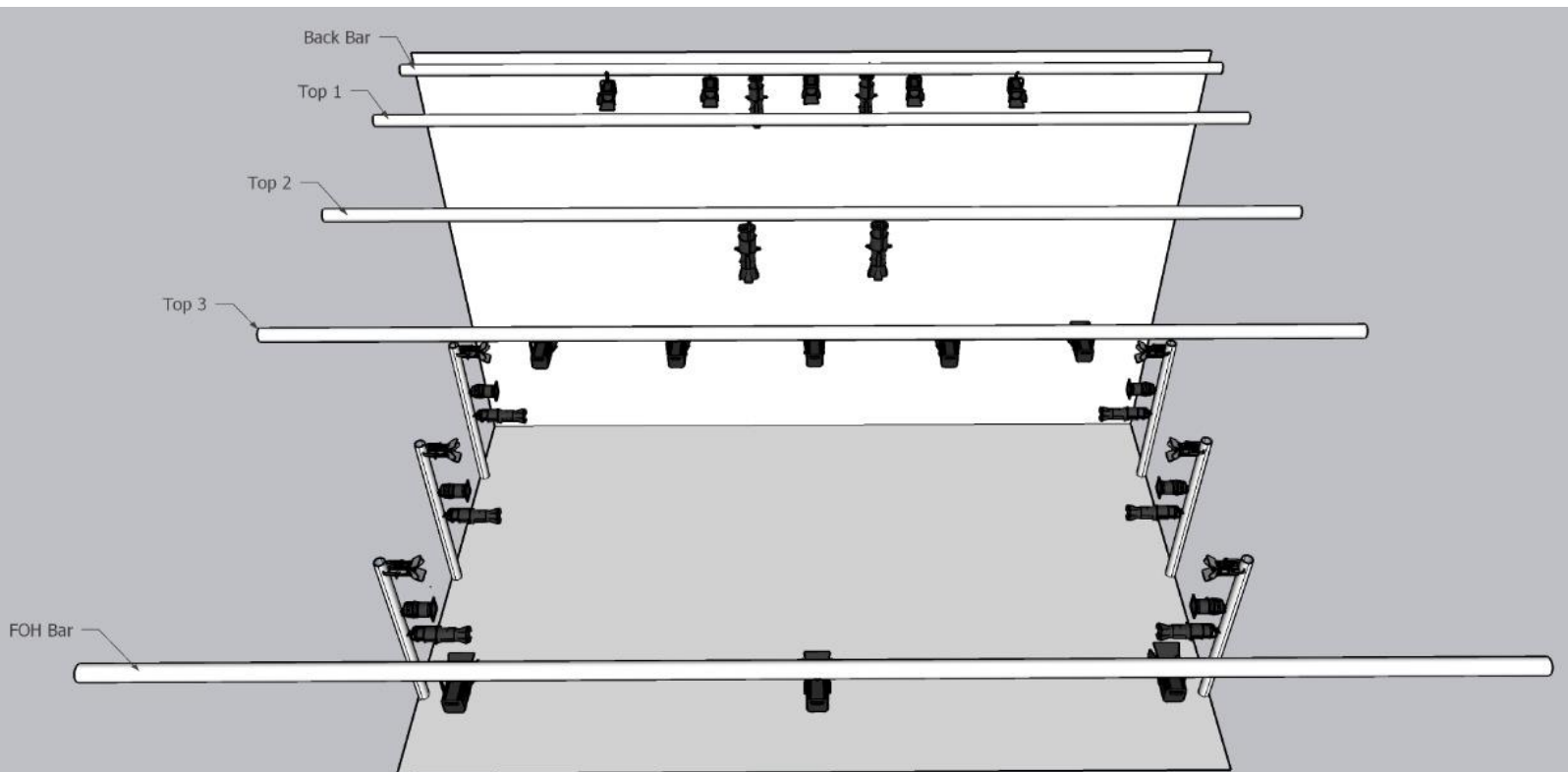
S. No.	Equipment	Quantity	Specifications
1	Freznel	19	1 KW with Barn Doors
2	PAR Can 64	6	Medium Flood
3	Profile	10	36 Degrees with IRIS

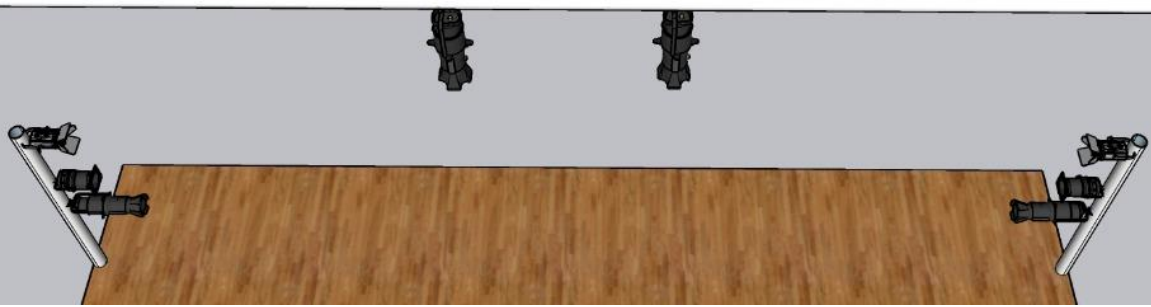
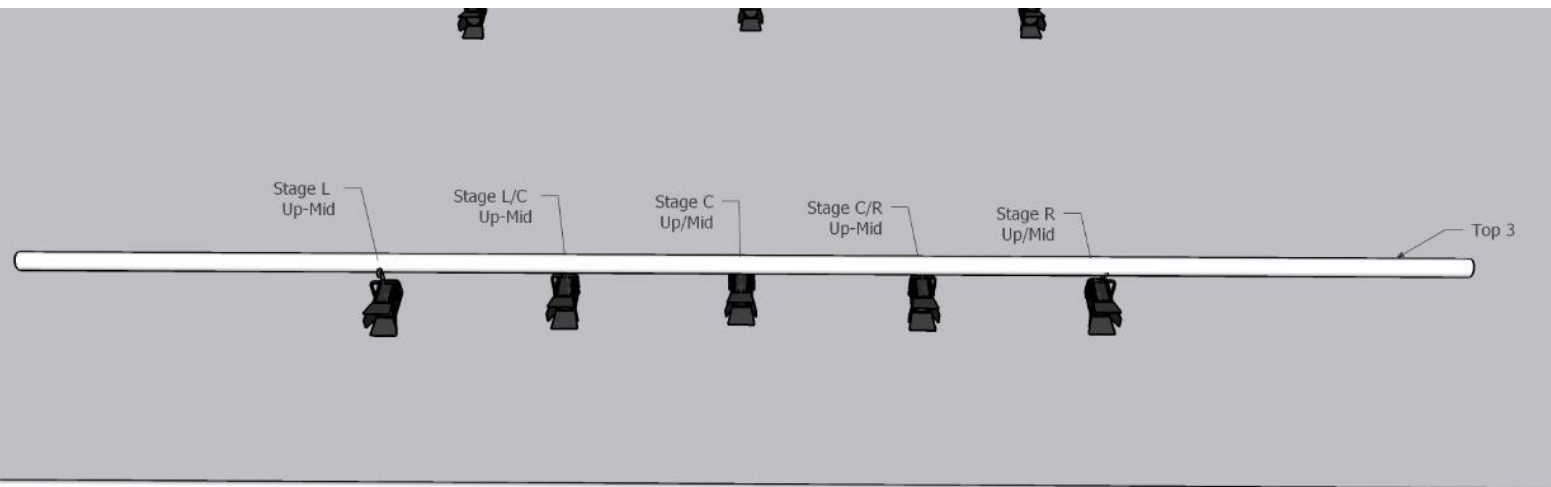
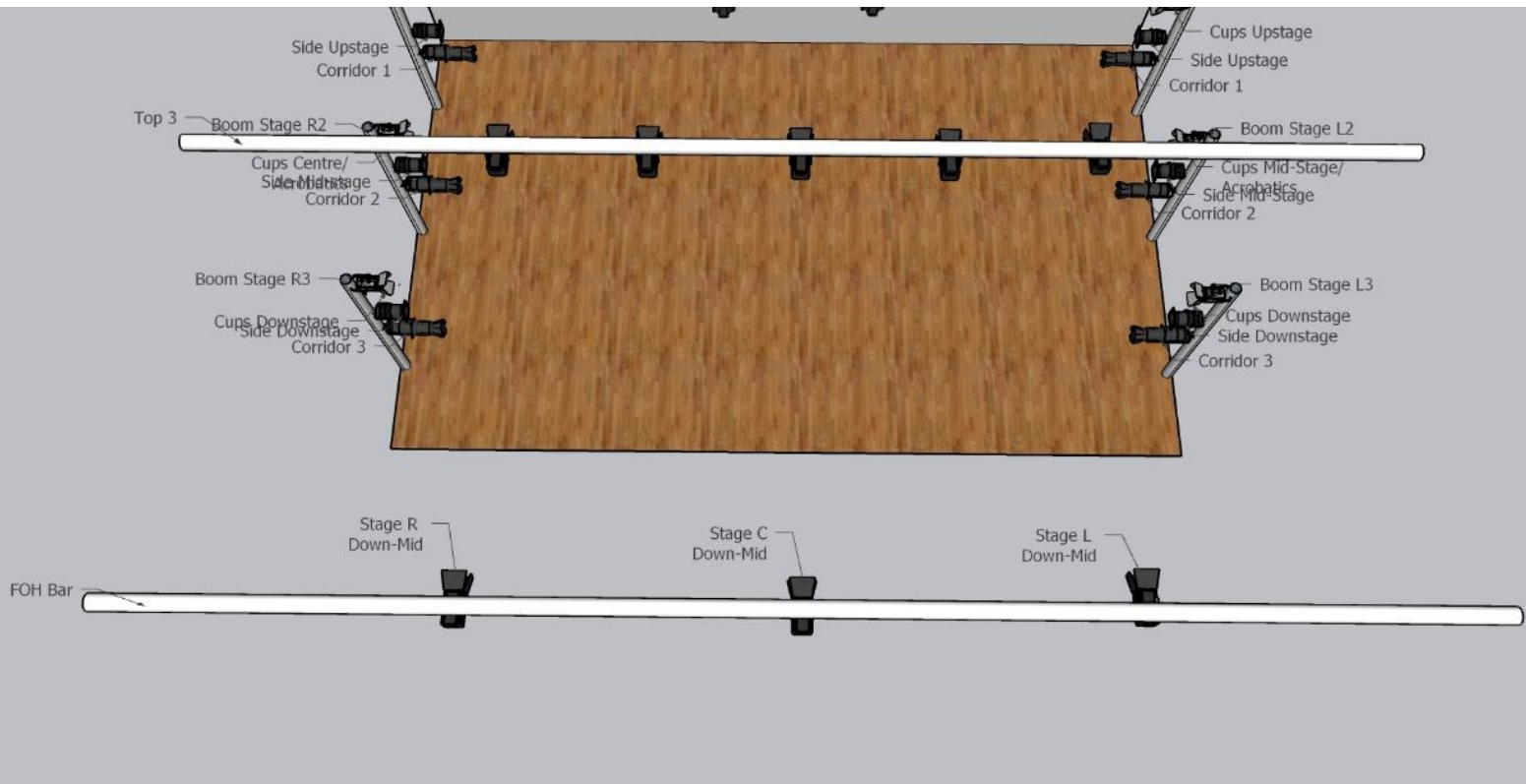
Gels Requirement

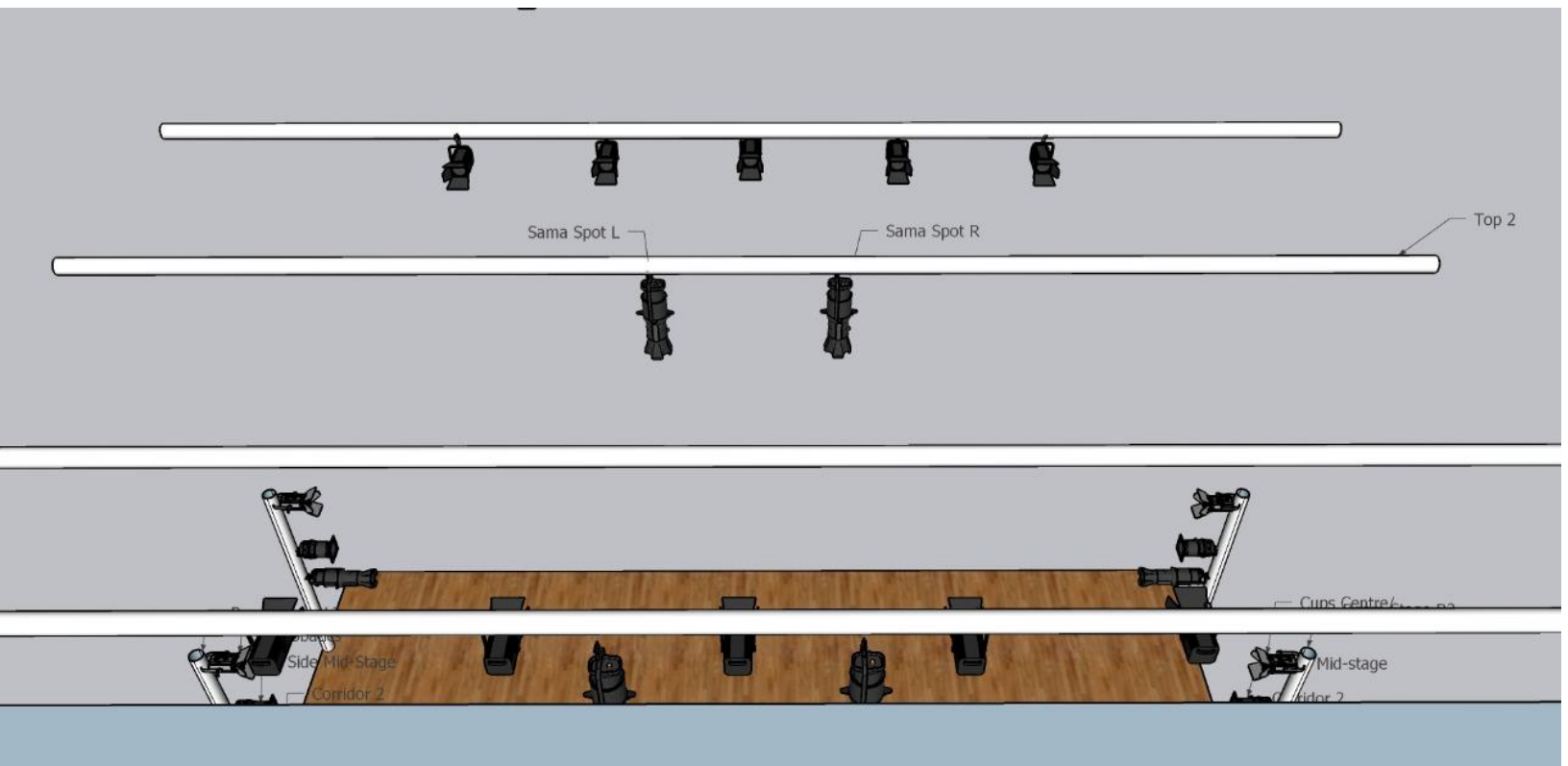
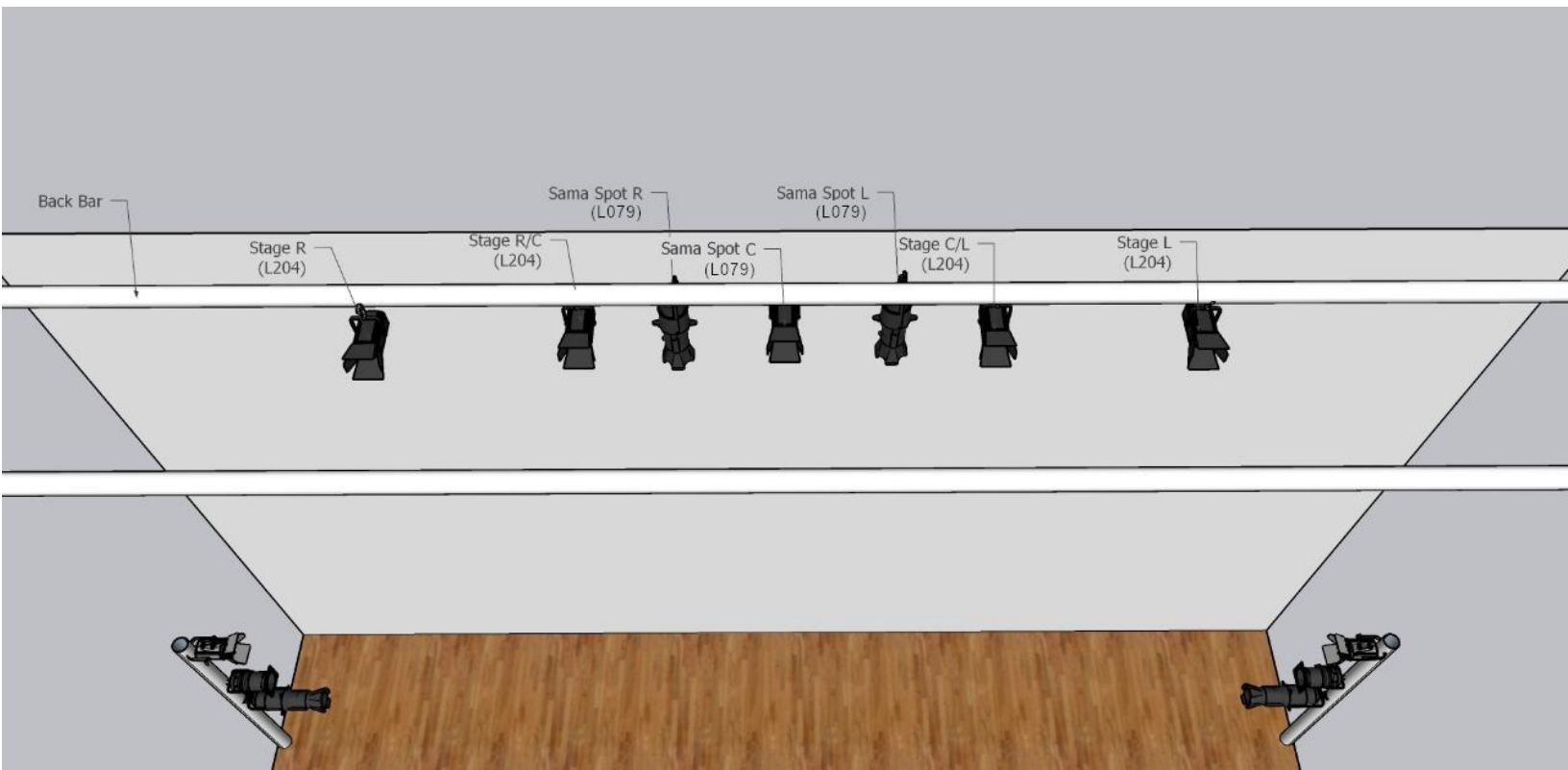
1	L204	4	For Back Freznel
2	L079	3	Sama Back Spots

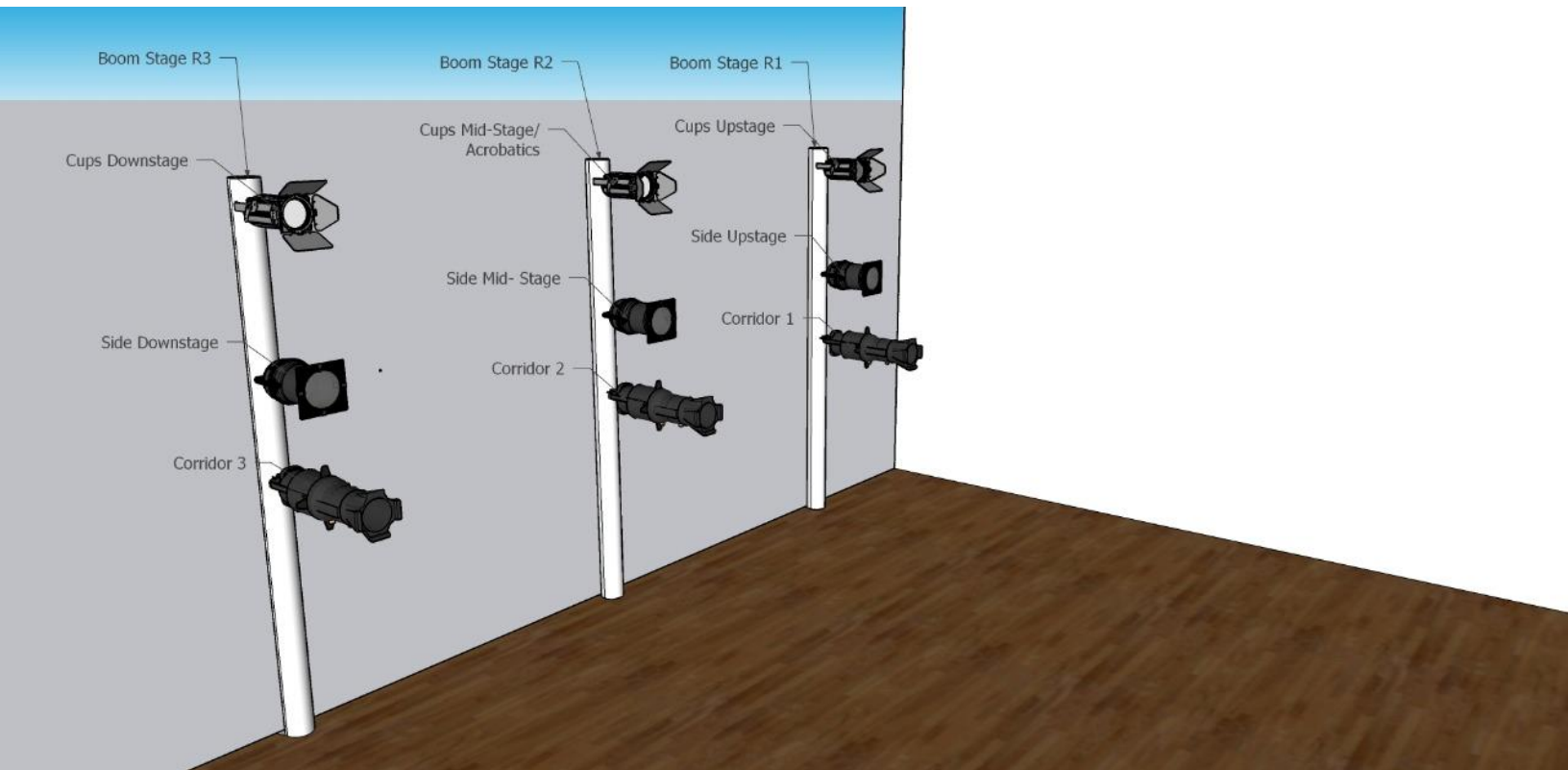
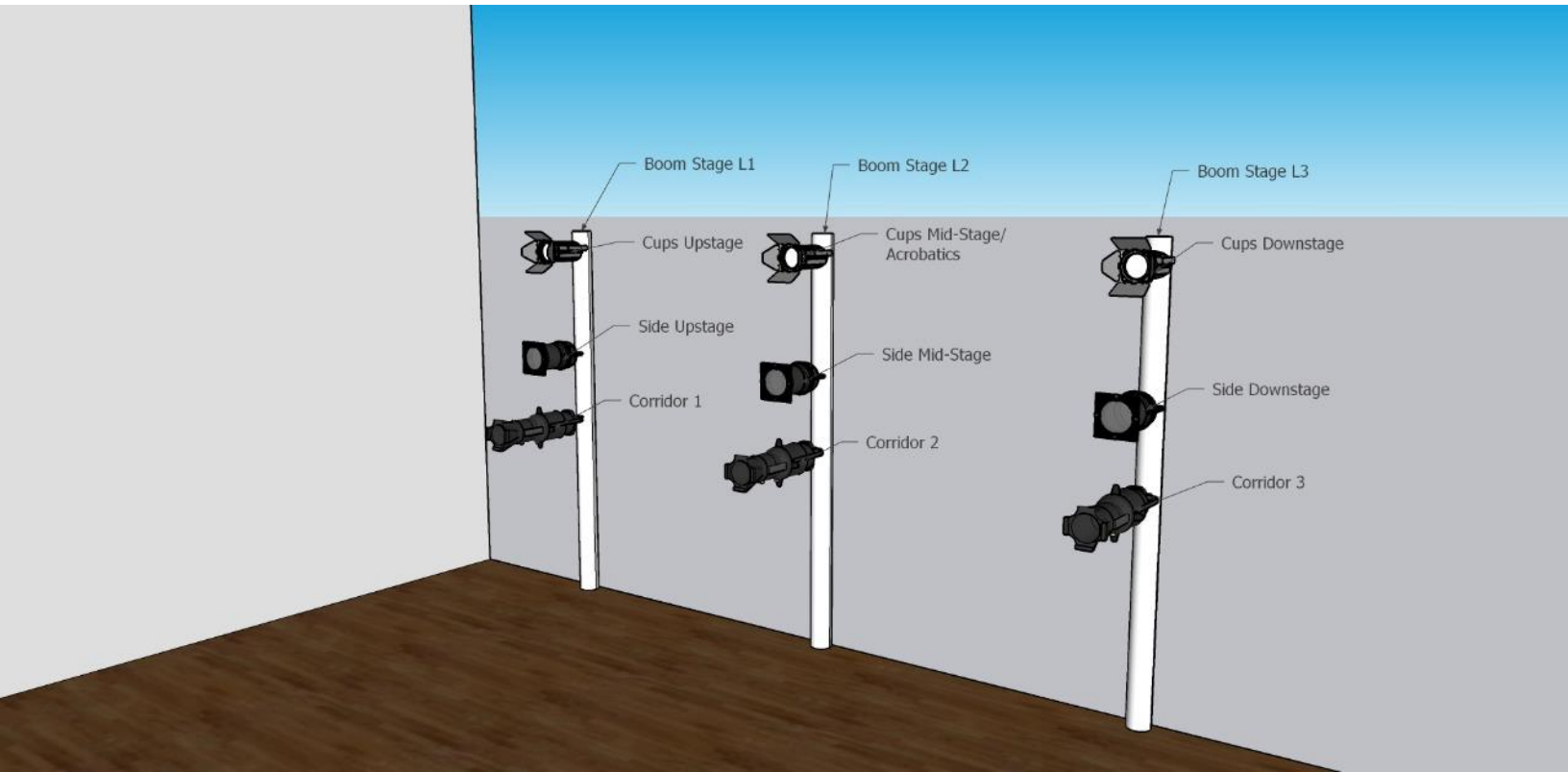
*Audience lights will be needed and should be considered along with this design

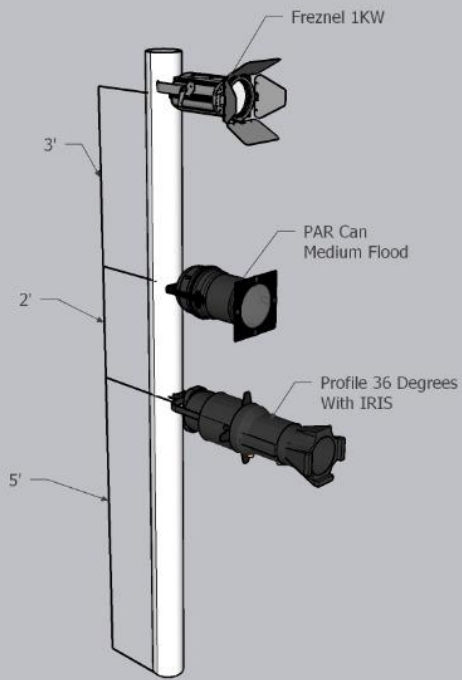
**All the lights to be patched and operated individually











AMARES
TEATRO